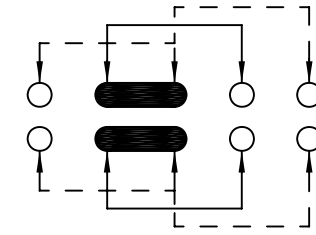
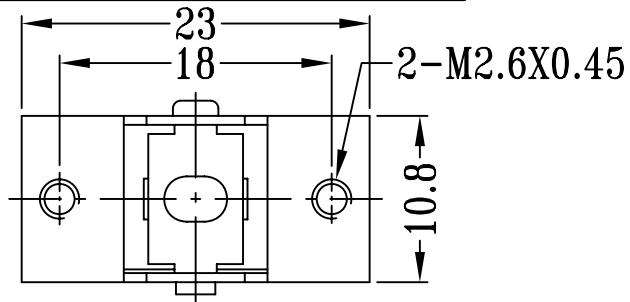
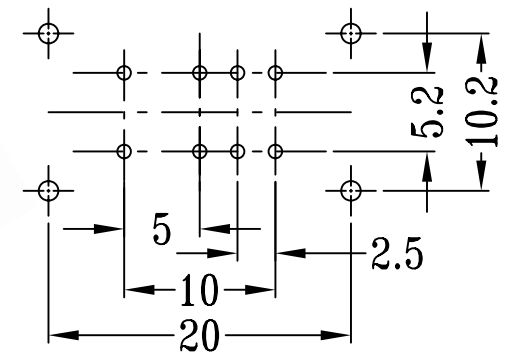
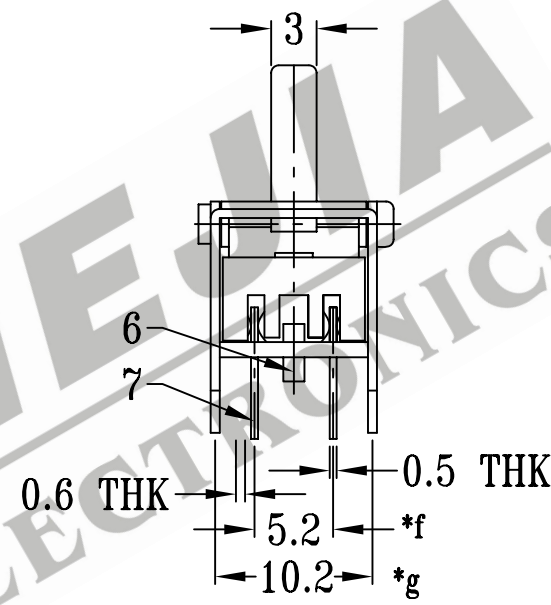
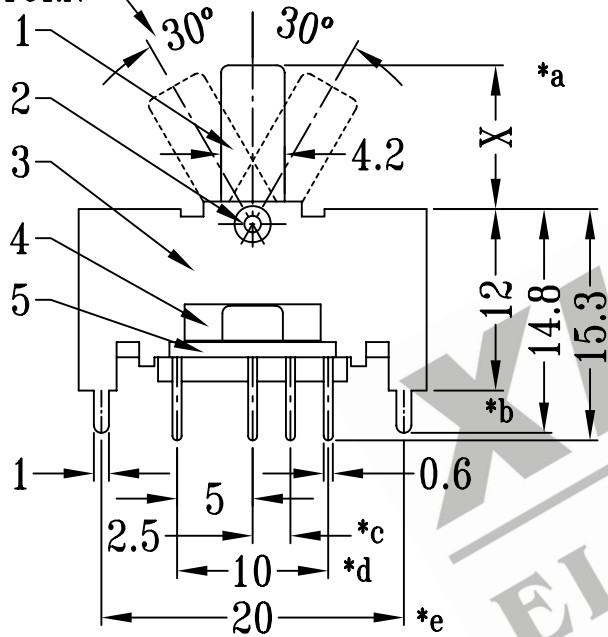


CAD FILE:



SCHEMATIC (SHORTING)

SPRING RETURN



P.C.B LAYOUT

10	CONTACT (CLIP)	PBS	2	Ag CLAD
9	PRESS BAR	POM	1	WHITE
8	SPRING	STEEL WIRE	1	TEMPER
7	TERMINAL	BRASS STRIP	8	Ag PLATED OVER Ni PLATED
6	POSITION PLATE	POM	1	BLACK
5	BASE	PHENOLIC RESIN	1	NATURAL
4	SLIDER	POM	1	BLACK
3	FRAME	STEEL STRIP	1	Ni PLATED
2	RIVET	COPPER	1	Ni PLATED
1	KNOB	PC	1	BLACK
NO.	PARTS	MATERIALS	Q'TY	FINISH

TOLERANCE UNLESS SPECIFIED		SHENZHEN XIEJIA ELECTRONICS CO.,LTD.		
WITHIN: 1.5 ±0.1mm		ISSUE	DATE	DESCRIPTIONS OF REVISION
OVER: 1.5 ±0.2mm				APPD.
TITLE : TOOGGLE SWITCH		UNIT : mm	DRWG NO.: XJ-DR-TS23E06-00	
MODEL: TS-23E06		SCALE: 2:1	DWN. ZHOUYU	2006-8-9
ALL MATERIALS MUST BE COMPLIANT TO ROHS			CHK'D FANGYING	2006-8-9
			APPD. KANGXINAN	2006-8-9

注:带"*"表示关键尺寸(7个)